



*Truck Tire changer*

**DIDO** *Service* **Mobile**

21/10/2013

1



# THE MOBILE UNIT

The DIDO Mobile service is a tyre changer and wheel balancer equipments (2 in 1) for giving a complete wheel service on the road for truck, light truck and wheel passanger.



# THE MOBILE UNIT



Thanks to the particular movement the unit will be working outside of the van very quickly.

21/10/2013

3

# THE MOBILE UNIT



From one side the unit is capable to mount and dismount all kind of truck, buses, light truck and passanger wheels.

21/10/2013

4

# THE MOBILE UNIT

## Tyre Changer

- Rim diameter range: 14 – 26 pulgadas
- Maximum wheel diameter: 1380mm
- Maximum wheel width: 750mm
- Weight:

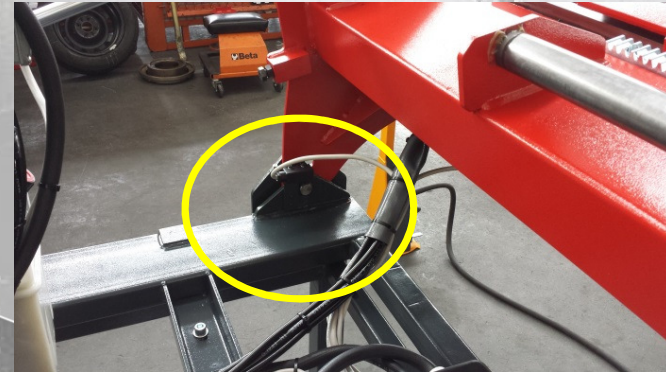
Tyre changer+platform: 460-470 Kg.



# THE MOBILE UNIT

## Features

- Stand by motor system: after 20 sec that the unit doesn't work the pump stops to turn.
- Safety switch system to prevent damages to the unit and to the van.
- Manual pump system in order to be able to close inside of the van the unit for emergency case.



# THE MOBILE UNIT

## Wheel balancer

- Rim diameter range: 8 – 30 pulgadas
- Maximun wheel diameter: 1120mm
- Maximun wheel width: 2 – 20 pulgadas
- Maximun wheel weight: 200 Kg
- Weight unit:  
Kit wheel balancer unit: 35 Kg.



# THE MOBILE UNIT

## Main Features

- Digital WB very friendly using
- Internal auto arm (automatic set up distance and diameter, manual input for width)
- Manual hand spin: 80 rpm for trucks and above 100 rpm for car
- Manual quick selection mode: Truck and car enviroment.
- All balancing programs for dynamic, static and Alu wheel weight available for truck, light truck and passanger.





# THE MOBILE UNIT



21/10/2013

9

# THE MOBILE UNIT



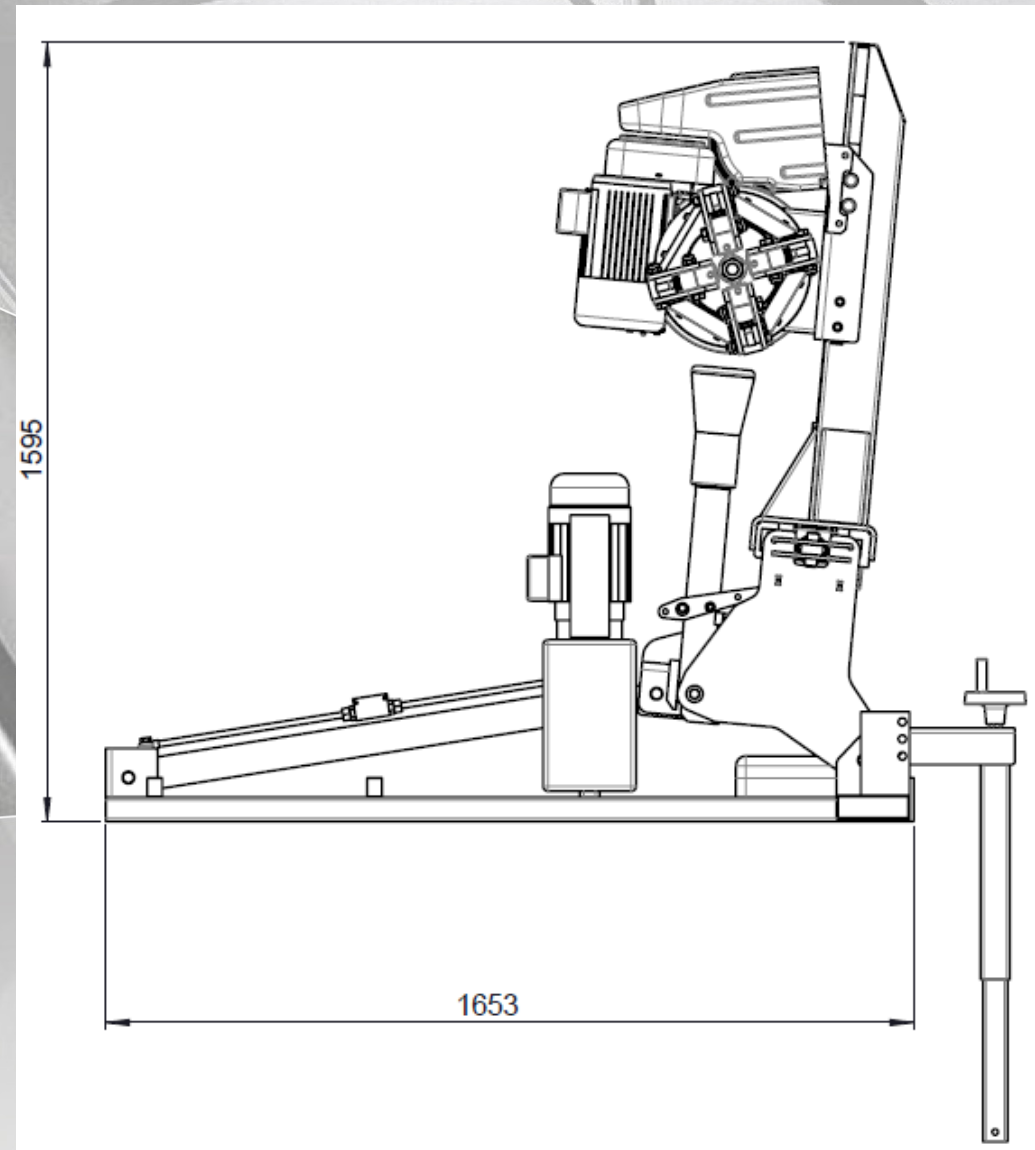
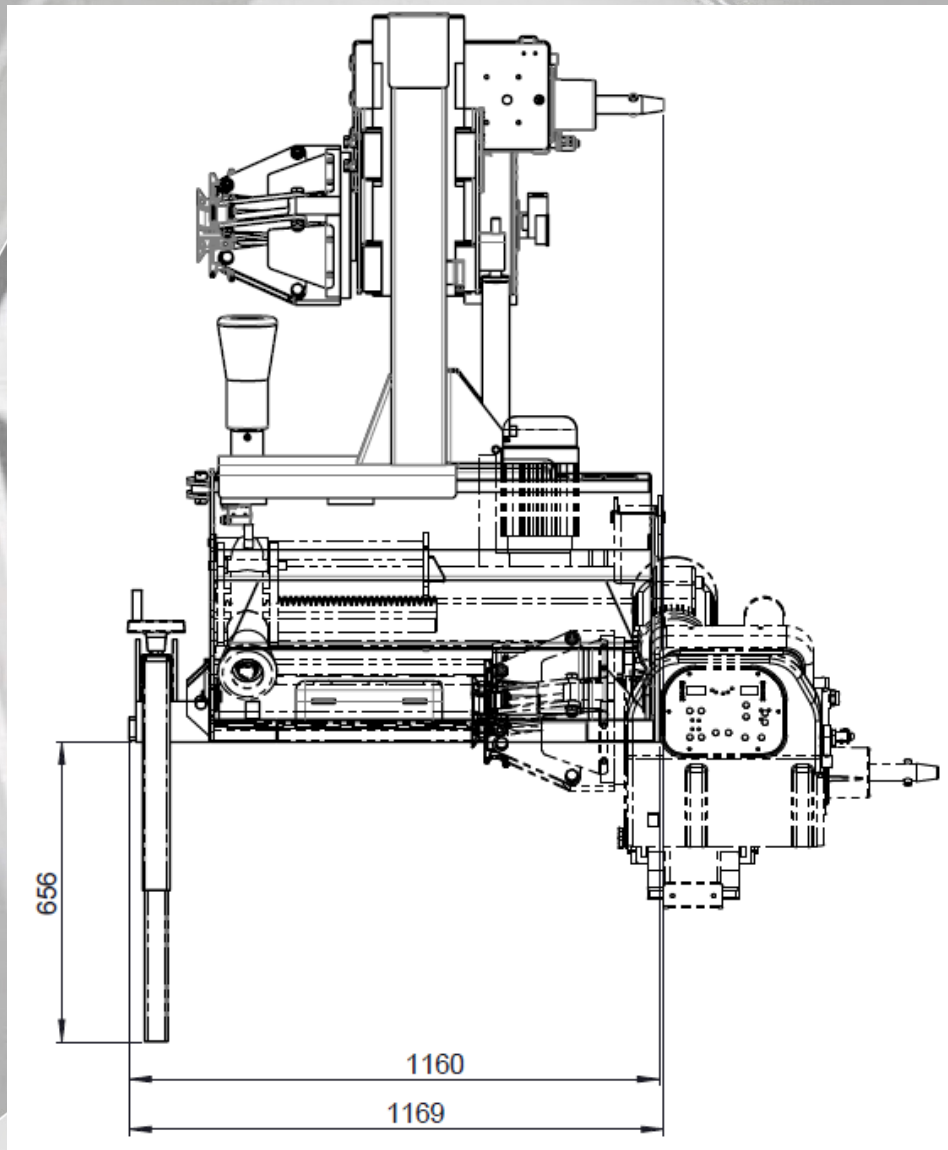
From the other side the unit become a wheel balancer for truck, buses, light truck and passanger wheels.

The unit is equipped with automatic internal arm and spin is done manually by operator side (speed 80 rpm).

This is an unique system with 2 in 1, so wheel balancer equipped on board of a truck tyre changer service mobile unit. (M&B patented).

The wheel balancer is an indipendent kit that could be order with a tyre changer or alone.

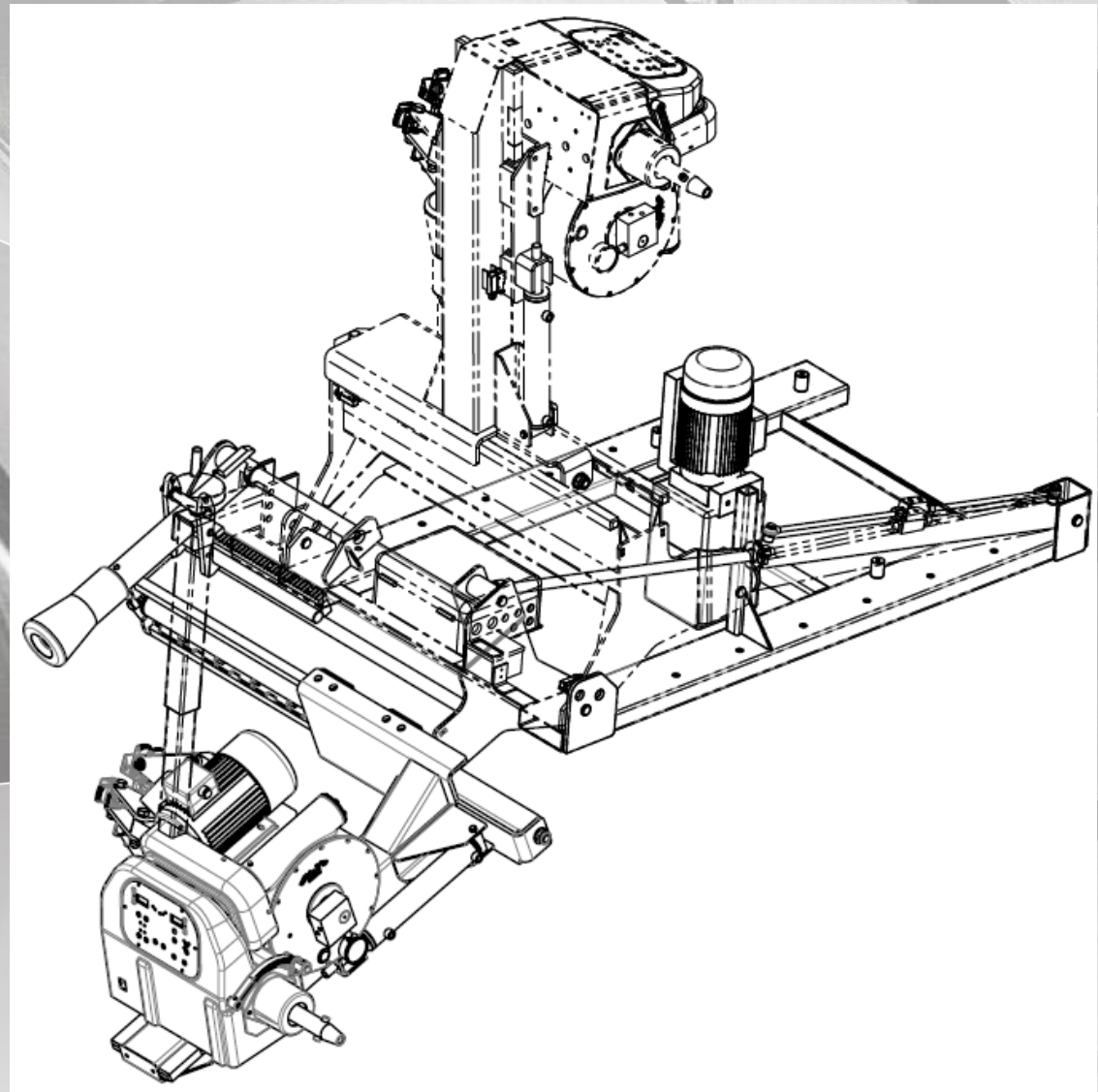
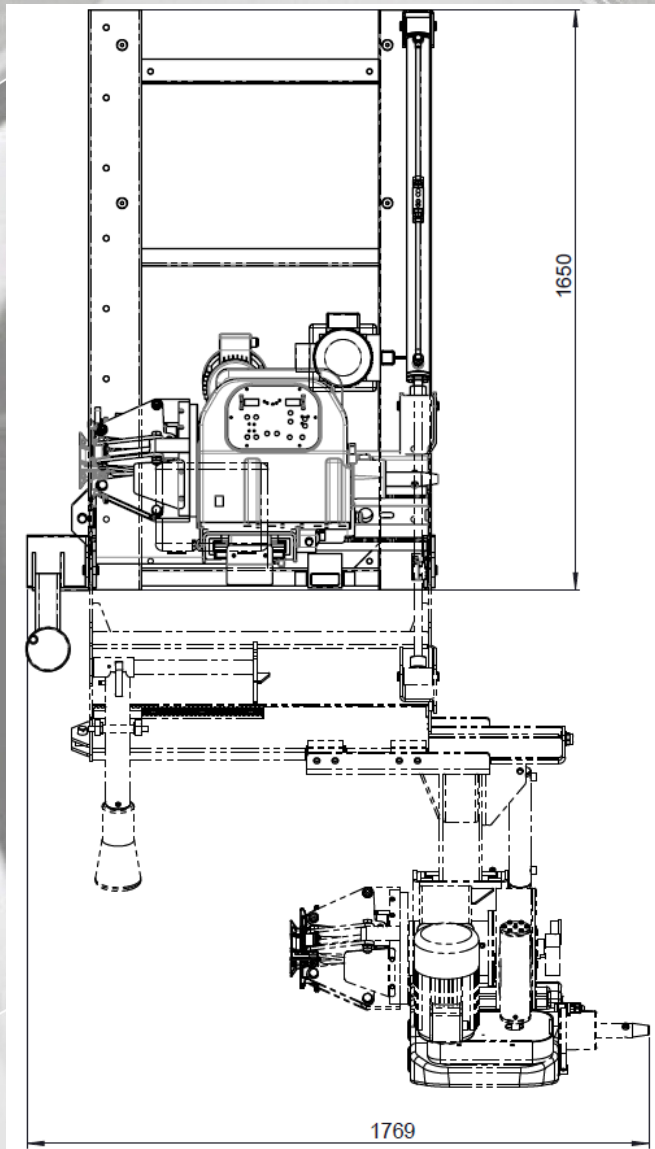
# THE MOBILE UNIT DIMENSIONS



21/10/2013

11

# THE MOBILE UNIT DIMENSIONS



21/10/2013

12

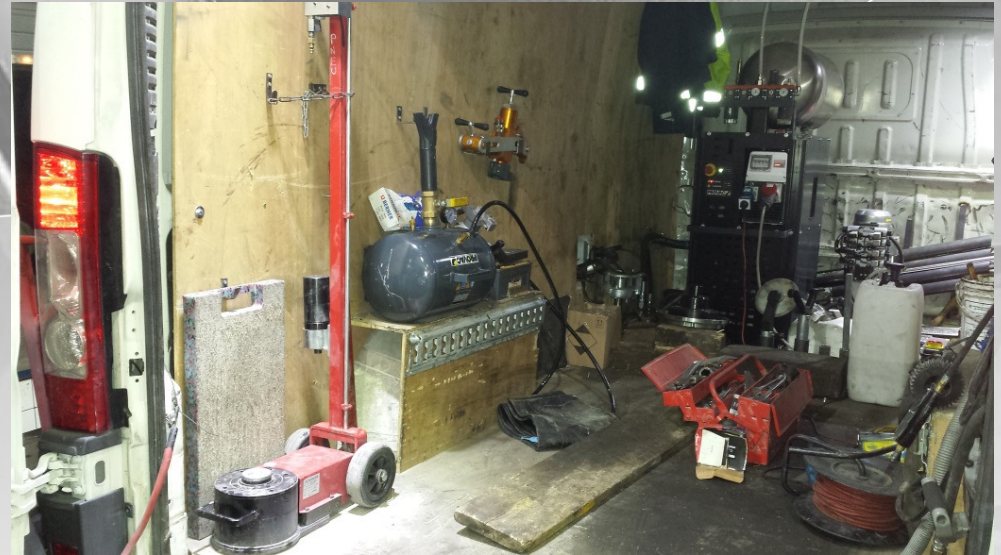
# THE MOBILE UNIT



21/10/2013

13

# THE MOBILE UNIT



21/10/2013

14

***Thank you very much  
for your kind attention.***