

**BLACKHAWK®**



# **HD Korek®**



## INDEX

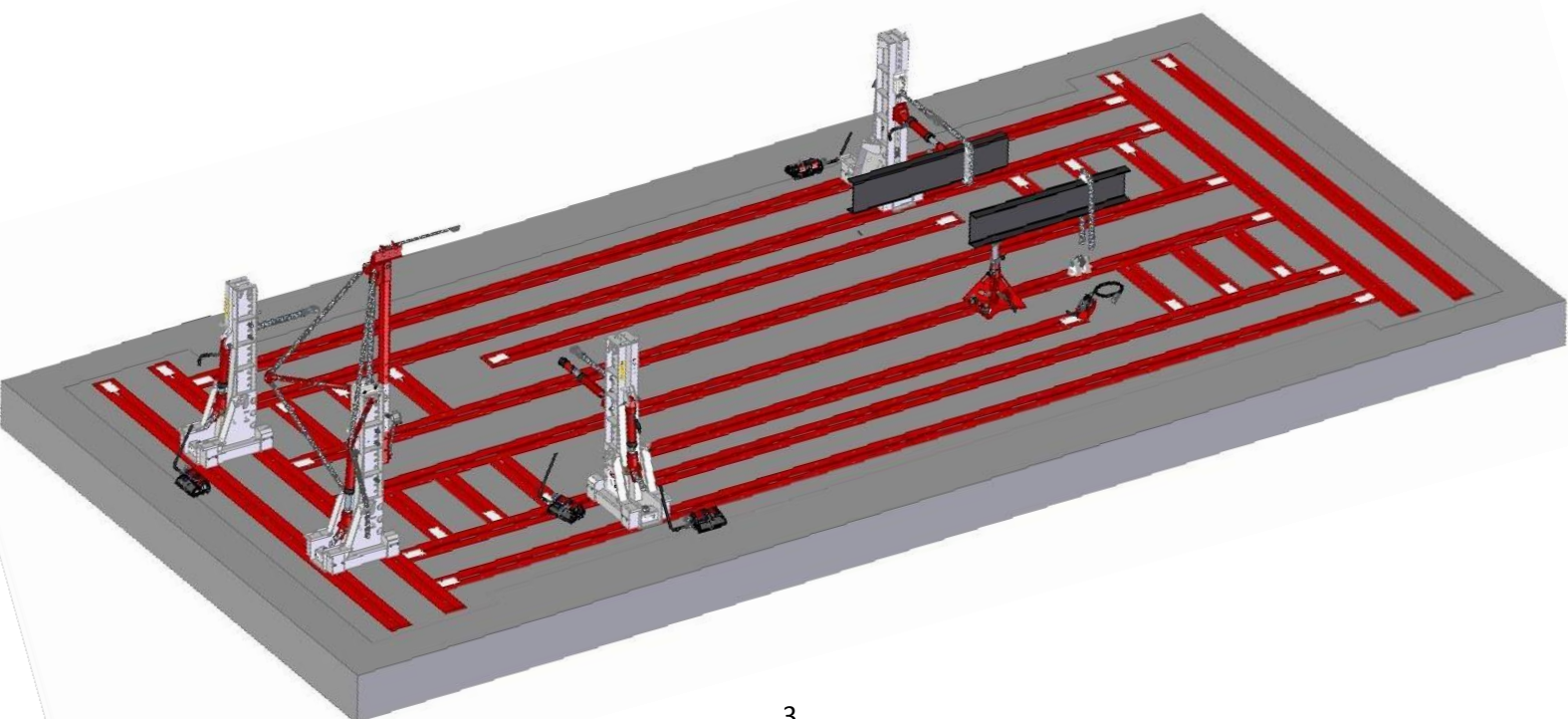
	<b>Page</b>
<b>INTRODUCTION</b>	<b>3</b>
<b>FRAMES</b>	<b>4</b>
<b>TOWER</b>	<b>8</b>
<b>PUMP</b>	<b>10</b>
<b>ACCESSORIES</b>	<b>11</b>
<b>HYDRAULIC STAND 23T</b>	<b>14</b>
<b>HYDRAULIC SETS</b>	<b>15</b>
<b>OPTIONS</b>	<b>18</b>
<b>PRESSES</b>	<b>21</b>
<b>APPLICATIONS</b>	<b>23</b>

## HEAVY DUTY KOREK®

Fixed modular frame for in-floor installation

Bringing you the same advantages as the Korek floor frame, but designed for Heavy Duty vehicles

- ◆ **Transforms your floor into a giant straightening tool**
- ◆ **Complete accessibility**
- ◆ **Select the best anchoring points for the damage**
- ◆ **Full set of accessories and options**
- ◆ **Can be used with various measuring systems**

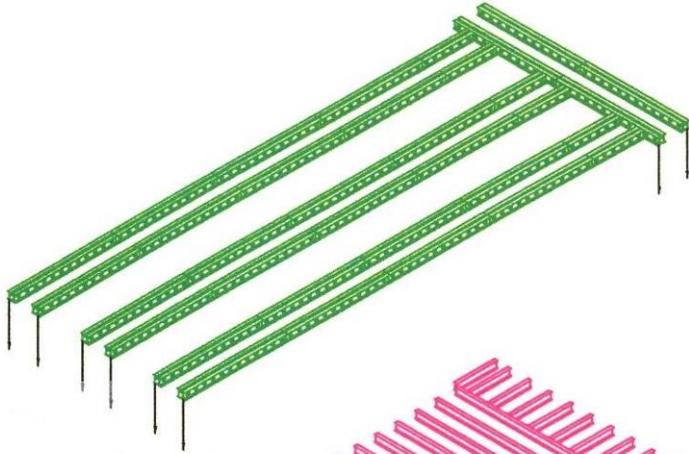


# FRAMES

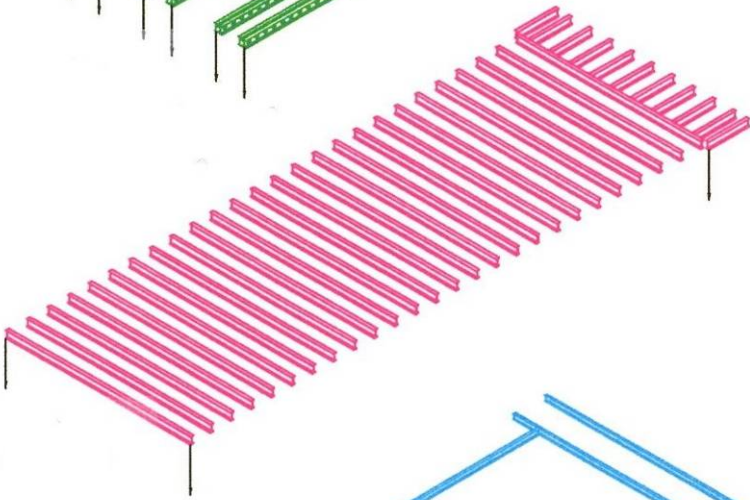




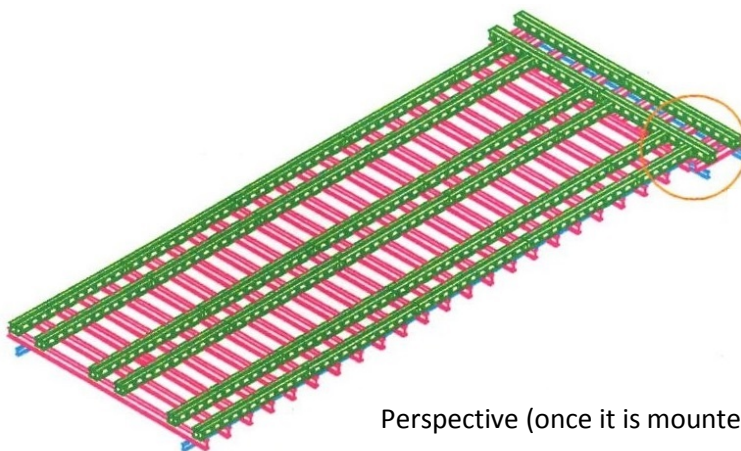
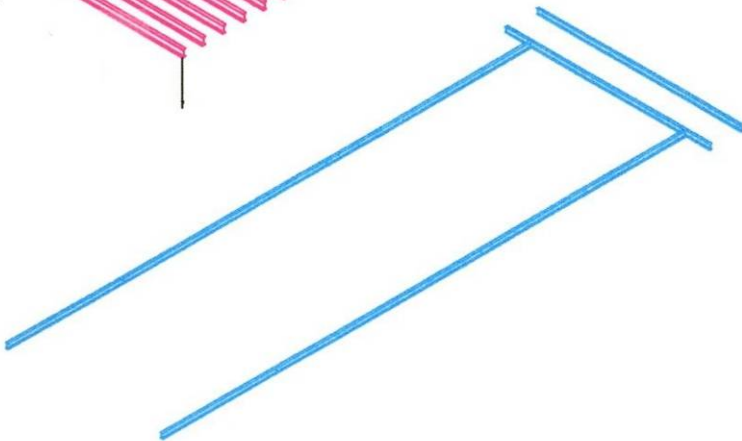
Top frame (included)



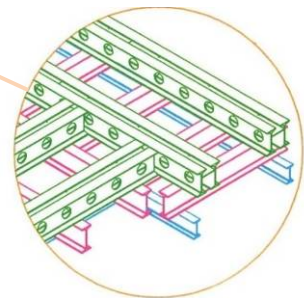
Reinforcement structure (not included)



Support structure (not included)



Perspective (once it is mounted)



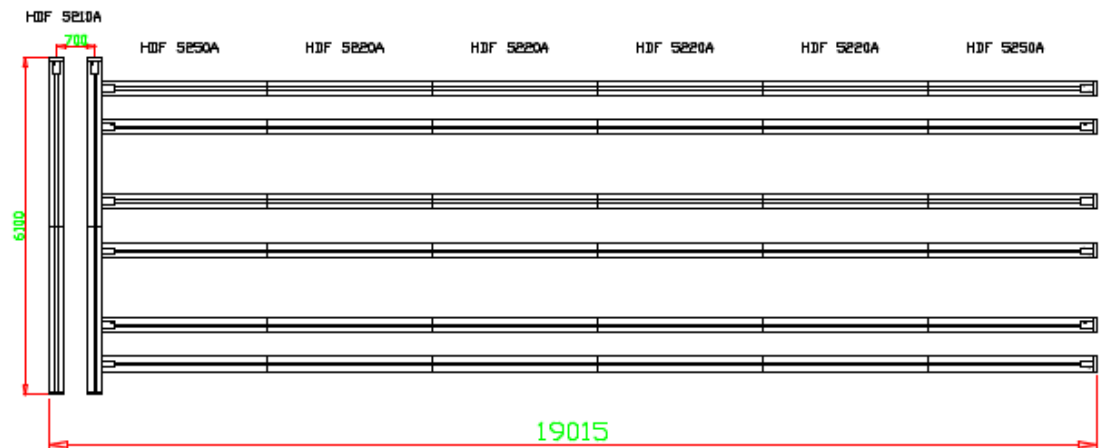
HDF54A



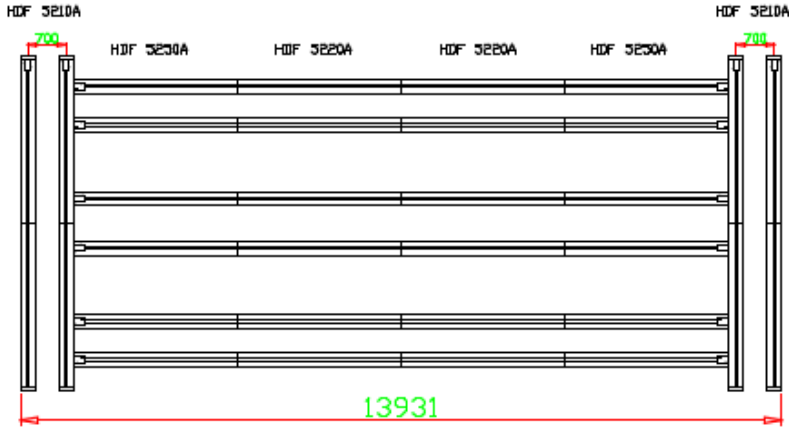
HDF55A



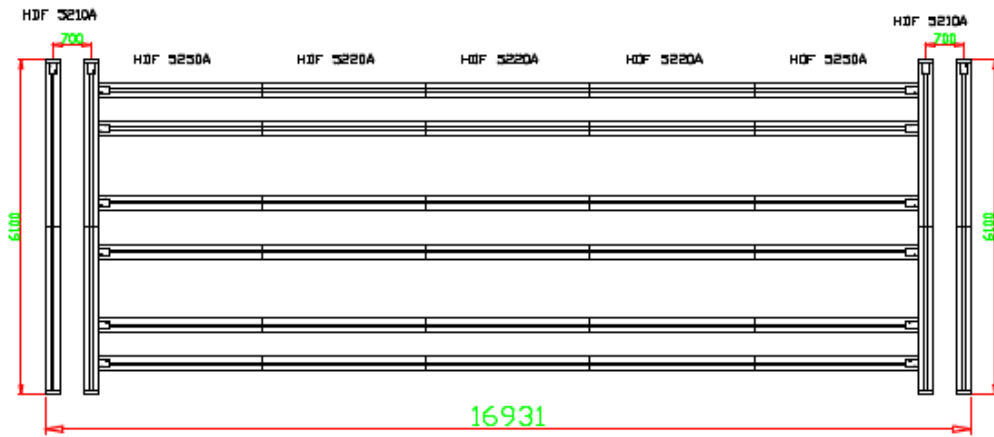
HDF56A



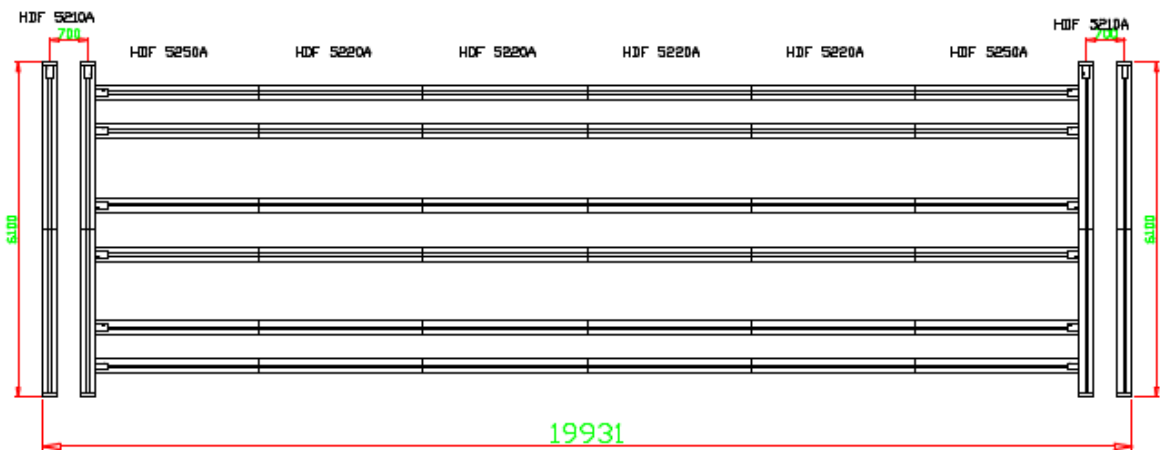
HDF64A



HDF65A



HDF66A



# STRAIGHTENING TOWER

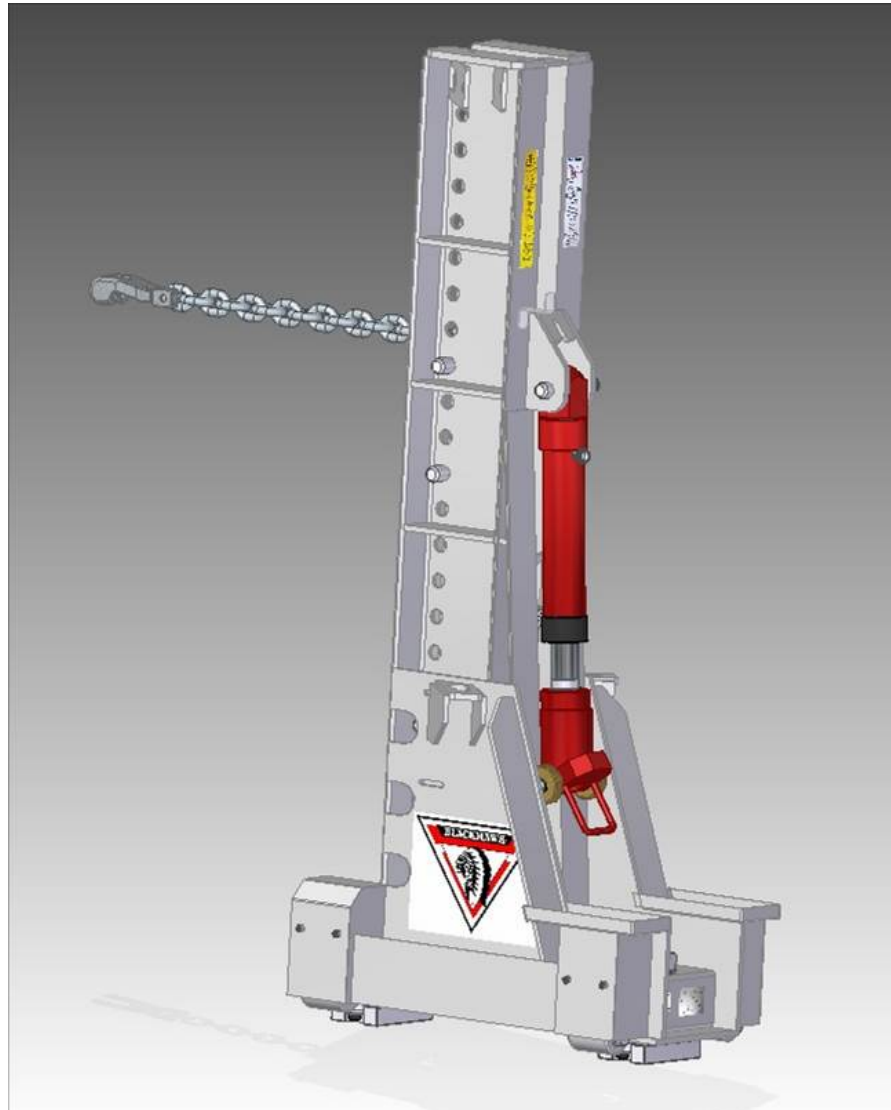




# HDY21

**HDY2130 - 23T TOWER FOR FRAMES HDF54A TO HDF6602A**

**Includes : a tower, a cylinder, a 25T chain HD452A, a safety cable and pump PMP1530 with hose and manometer.**



**Max. pulling force : 23t**

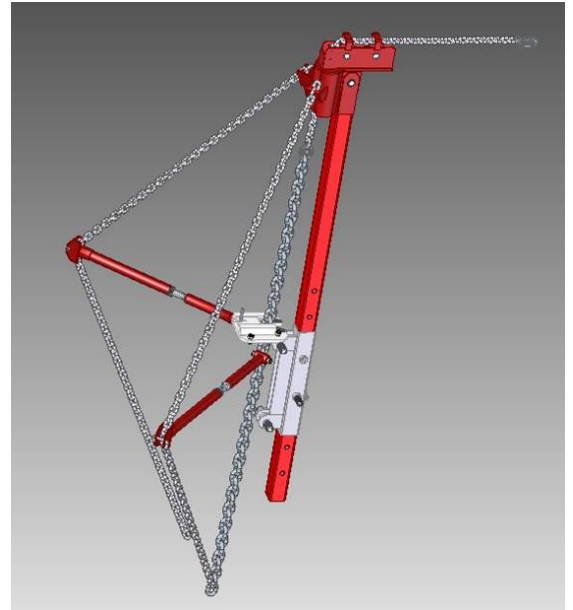
**Pulling height : 2m**

## HDY2110 - 10T EXTENSION

Includes: extension, 10t pulling chain and reinforcing chains, reinforcing pulling accessories, safety cable, chain locking, winch.

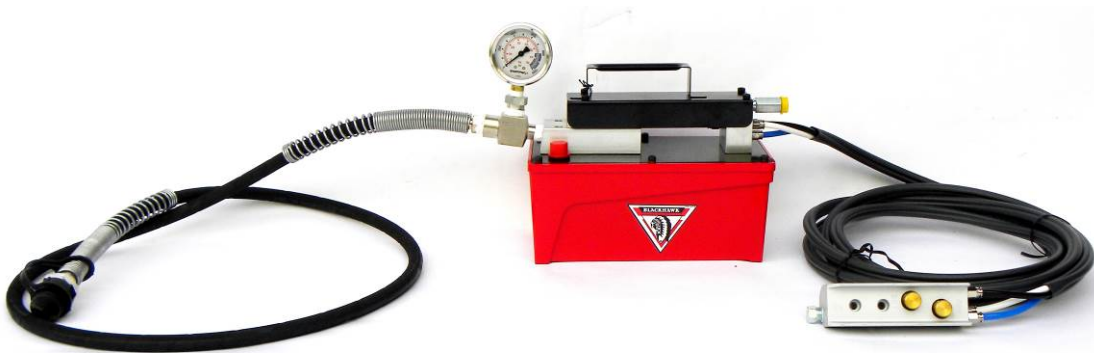
Max. pulling height : 4,2m (tower + ext.)

Max. pulling force : 10t



## PMP1530 - PUMP WITH HOSE 1M80 , MANOMETER, REMOTE CONTROL

Oil reservoir 1,5L



# ACCESSORIES

## **HDY2102 – CYLINDER SUPPORT**



## **HDY2103 – PULL CHAIN LOCKING**



## **HDY2003A – SINGLE VERTICAL PULL PULLEY**



## **HDY2005A – HOOK FOR VERTICAL PULLS**



**HDY4006 RAM SUPPORT + AXLE**



**PT114A – 20T FRAME PULL HOOK WITH CHAIN**



**HD452A - 25T CHAIN - 3M60 WITH HOOK**



**PT104 - 1/2 MOON 127 mm**

**PT106 - 1/2 MOON 305 mm**

**PT105 - 1/2 MOON 230 mm**

**PT107 - 1/2 MOON 460 mm**





# HYDRAULIC STAND

23T HYDRAULIC STAND

Min height : 530 mm

Max height : 1166 mm



**HDY25**



**HDY2504**  
(complete set, with pump and accessories)

Accessories :

HDY2207A + HDY2214A + HDY2212A



Pump :

PMP1530



# HYDRAULIC SETS

## 23T HYDRAULIC SETS

### HDY22B — WITH CYLINDER ARC2506



### HDY23A — WITH CYLINDER ARC2514



### HDY2201A - ACCESSORIES (without cylinder or pump)

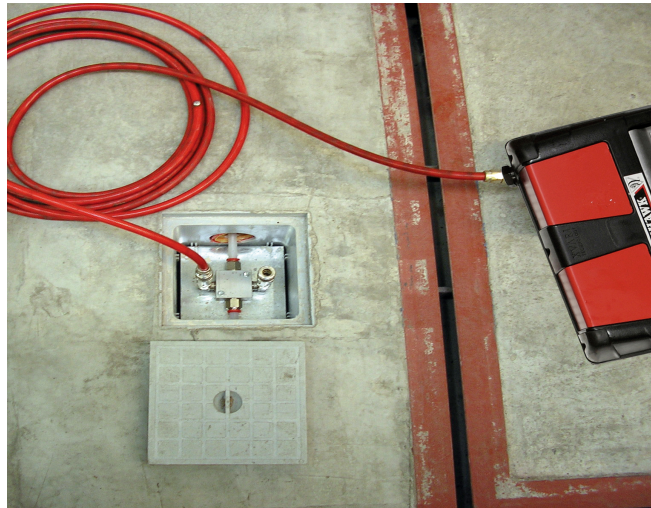


		HDY2201A	HDY22B	HDY23A
	<b>ARC2506</b> CYLINDER 23T STROKE 158mm		1	
	<b>ARC2514</b> CYLINDER 23T STROKE 362mm			1
	<b>PMP1530</b> PUMP – 1,5 L RESERVOIR WITH REMOTE CONTROL		1	1
	<b>HDY2202A</b> EXTENSION TUBE 125mm	1	1	1
	<b>HDY2203A</b> EXTENSION TUBE 250mm	1	1	1
	<b>HDY2204A</b> EXTENSION TUBE 500mm	1	1	1
	<b>HDY2205A</b> EXTENSION TUBE 750mm	1	1	1
	<b>HDY2206A</b> DOUBLE CONNECTOR	2	2	2
	<b>HDY2207A</b> CYL. ROD CONNECTOR	1	1	1
	<b>HDY2208A</b> CYL. BASE CONNECTOR	1	1	1
	<b>HDY2209A</b> WEDGE HEAD	1	1	1
	<b>HDY2210A</b> MALE SERRATED HEAD	1	1	1
	<b>HDY2211A</b> MALE BALL HEAD	1	1	1
	<b>HDY2212A</b> SERRATED CONCAVE HEAD	1	1	1
	<b>HDY2213A</b> FLAT CONCAVE HEAD	1	1	1
	<b>HDY2214A</b> FEMALE BALL HEAD	1	1	1
	<b>HDY2215A</b> FEMALE SERRATED HEAD	1	1	1

# OPTIONS



## AIR CONNECTION POTS



	FRAME MODELS	HDF54A HDF64A HDF6402A	HDF55A HDF65A HDF6502A	HDF56A HDF66A HDF6602A
KOR1000	AIR CONNECTION POTS	8	10	10
KOR1001	25m HOSE KIT	2	2	3

## WHEEL ALIGNMENT HDL40



## FRAME ALIGNMENT HDC40



# INDUCTION HEATERS

## IHR04

### **TECHNICAL CHARACTERISTICS**

*Power supply 230V*

*Maximum power 4 KW*

*Frequency 20-26kHz*

*Supply frequency 50/60 Hz*



## IHR11

### **TECHNICAL CHARACTERISTICS**

*Power supply 400V 3Ph+terre*

*Maximum power 11KW*

*Frequency 20-26kHz*

*Supply frequency 50/60 Hz*



# **PRESSES**

# PRESSES

**ARC21**



**10T**

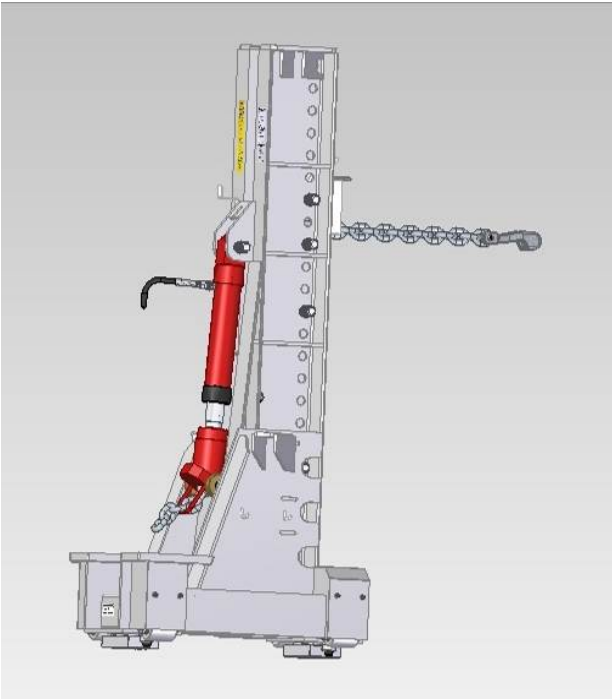
**ARC23**



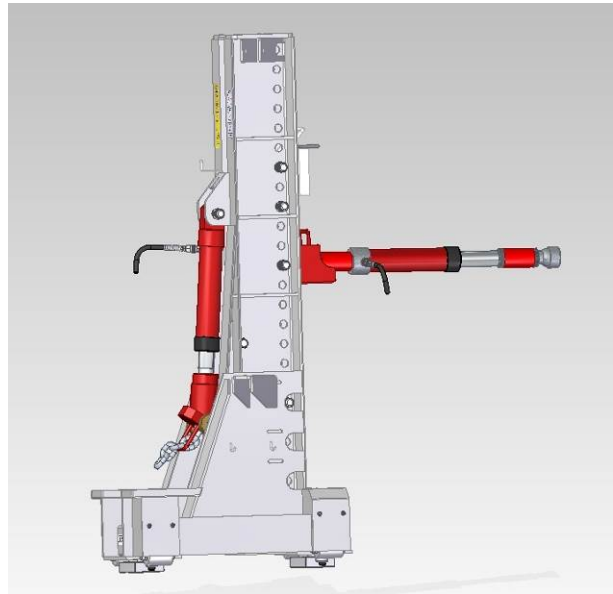
**23T**

# APPLICATIONS

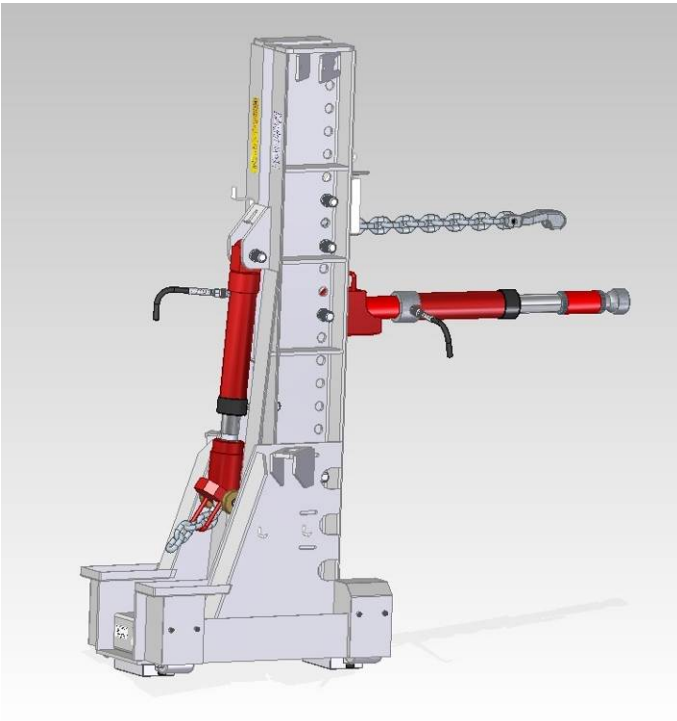




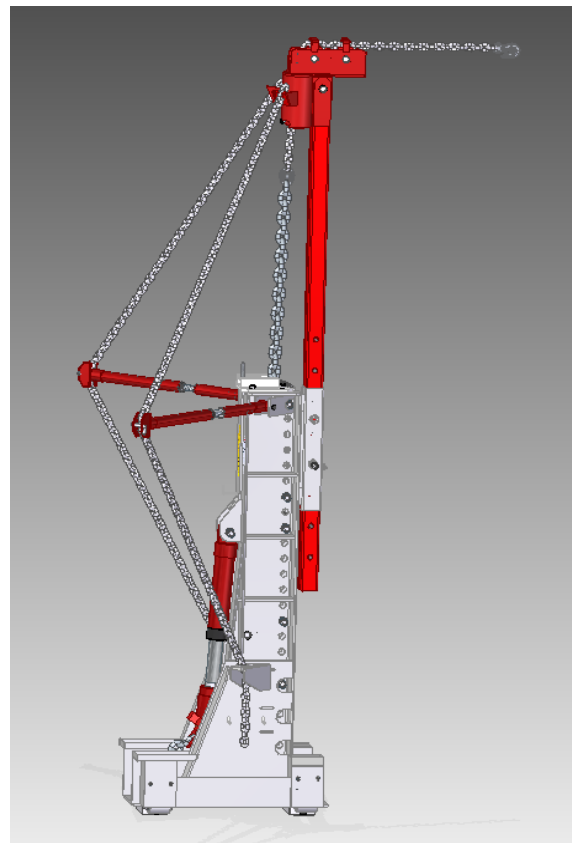
**23T Single pull**



**Push 23T**



**Pull and push 23t**



**High pull  
Tower + extension (HDY2110)**



**PULL AND PUSH**



**Pulling Down**



**Pulling Down (Low Height)**



**Push**



**Simultaneous Push/Pull**



## **PULLING ON HIGH STRUCTURES AND CABS**



**Max. Pulling Height 4m20**



**Max. Pull Force : 23T**

# BLACKHAWK®



## BLACKHAWK SAS

International Sales - BP 5 - 67026 Strasbourg Cedex - France  
Tel: +33 3 88 65 76 30 Fax: +33 3 88 65 76 31  
E-Mail: [blackhawk-export@snapon.com](mailto:blackhawk-export@snapon.com) - [www.blackhawk.fr](http://www.blackhawk.fr)

France - Benelux - BP 5 - 67026 Strasbourg Cedex - France  
Tel: 03 88 65 76 30 Fax: 03 88 65 76 31  
E-Mail: [blackhawk-france@snapon.com](mailto:blackhawk-france@snapon.com), [blackhawk-benelux@snapon.com](mailto:blackhawk-benelux@snapon.com) - [www.blackhawk.fr](http://www.blackhawk.fr)

Deutschland - Schweiz - Österreich - BP 5 - 67026 Strasbourg Cedex - France  
Tel: +33 3 88 65 76 30 Fax: +33 3 88 65 76 31  
E-Mail: [blackhawk-deutschland@snapon.com](mailto:blackhawk-deutschland@snapon.com) - [www.blackhawk.de](http://www.blackhawk.de)

